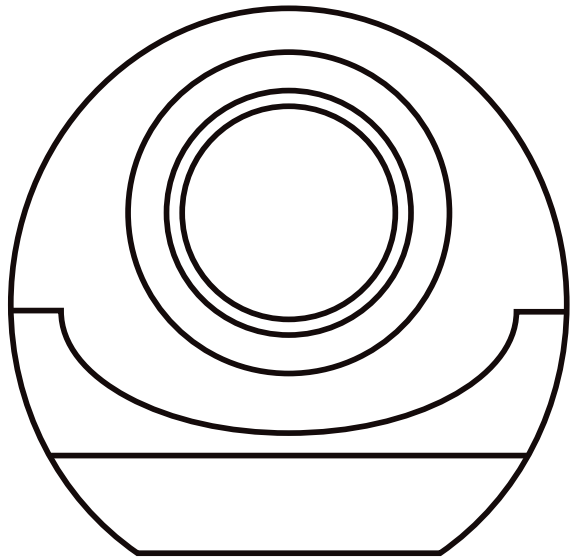


Leo's Loo[®]

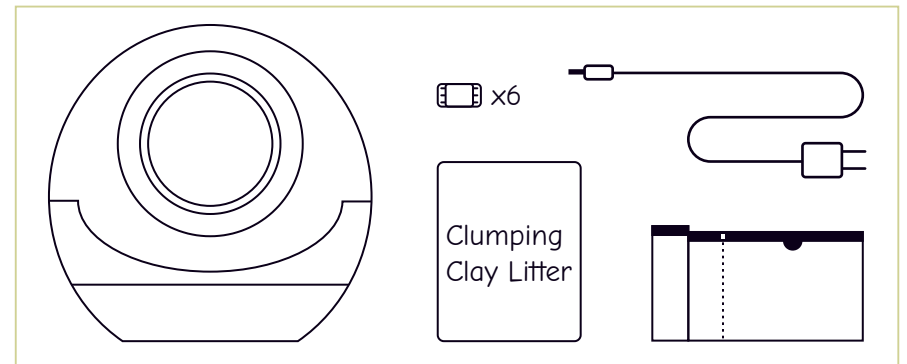


PLUG & PLAY

presented by

Smarty Pear[®]

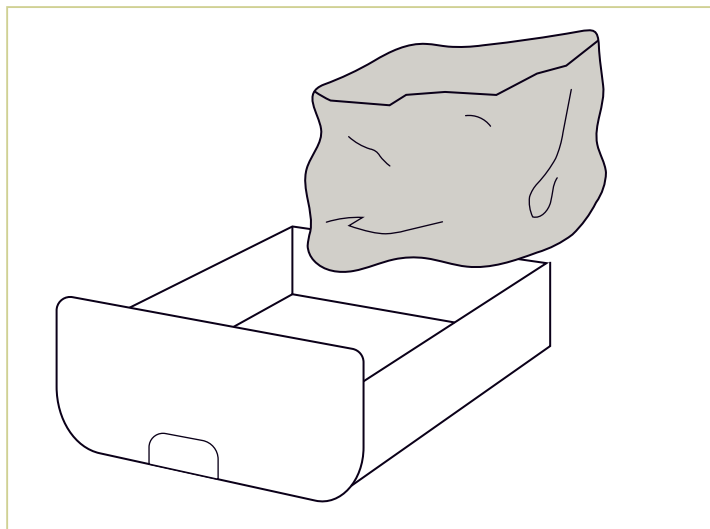
Contents



Included: Automatic litter machine, power adapter with extra long 6 feet anti-chew cord, Leo's Loo drawstring waste litter drawer liners, and liner clips.

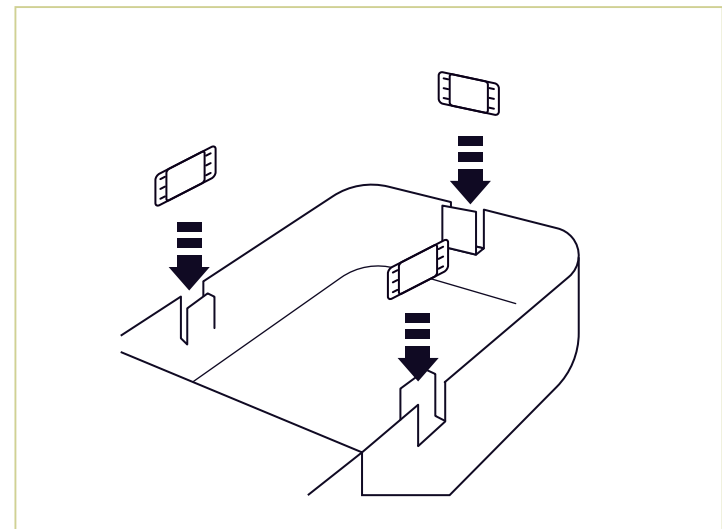
NOT included: Cat litter - ONLY use clumping clay type.

STEP 1



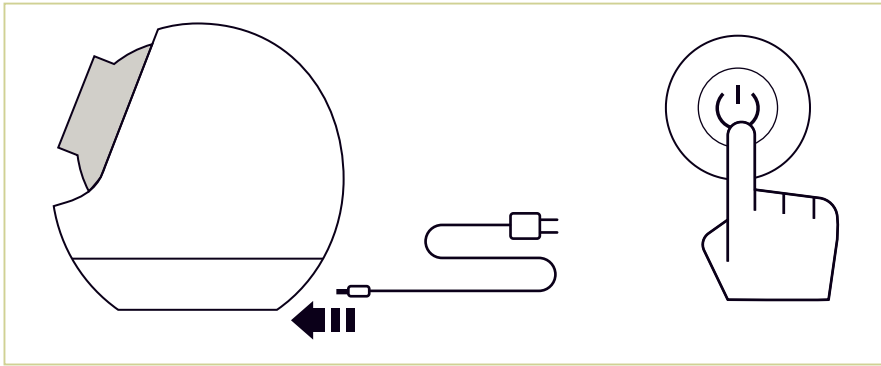
Pull out the waste litter drawer and line the drawer with a litter liner bag.

STEP 2



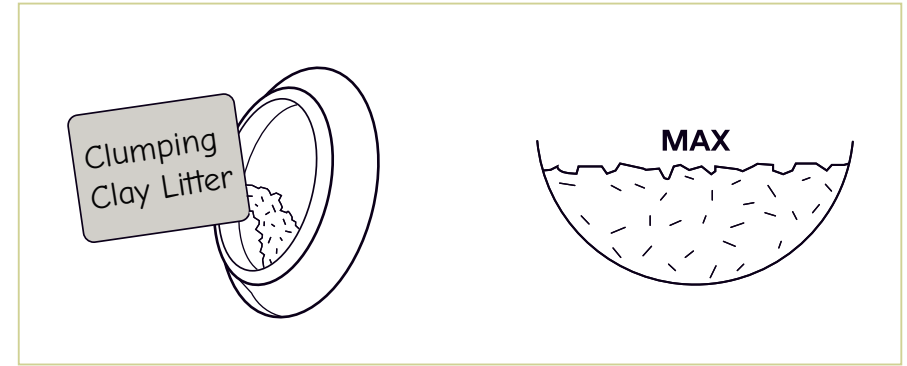
Push clips down into their slots to secure the liner bag. Gently push the waste litter drawer back into position.

STEP 3



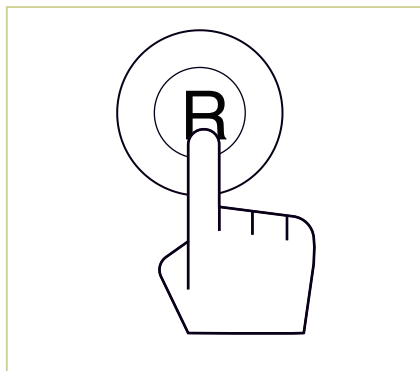
Plug in the power adapter, then press the POWER button for 3 seconds to turn on the machine. Make sure to place the machine on a solid flat surface for the scale and safety sensors to work properly.

STEP 4



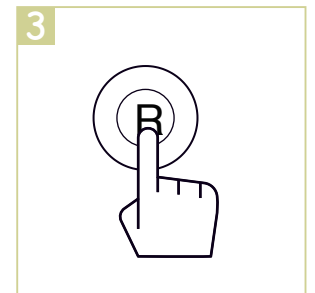
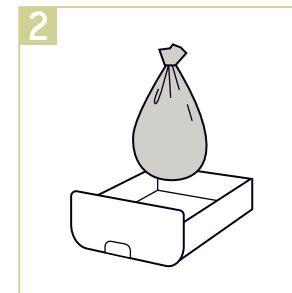
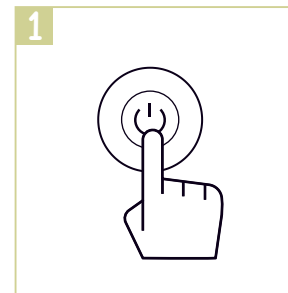
Pour in the clumping clay cat litter and smooth the top surface. Make sure not to exceed the MAX line; 1 Gallon (4 L) of litter is recommended. Clumping clay type litter ONLY!

STEP 5

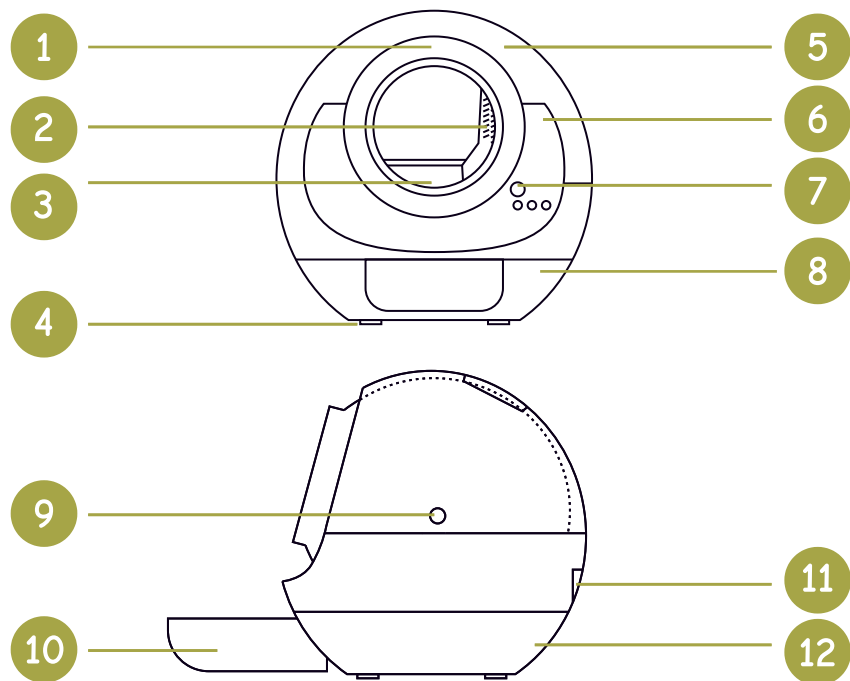


Press the RESET button to zero the Kitty Weight display.

Emptying the Waste Drawer

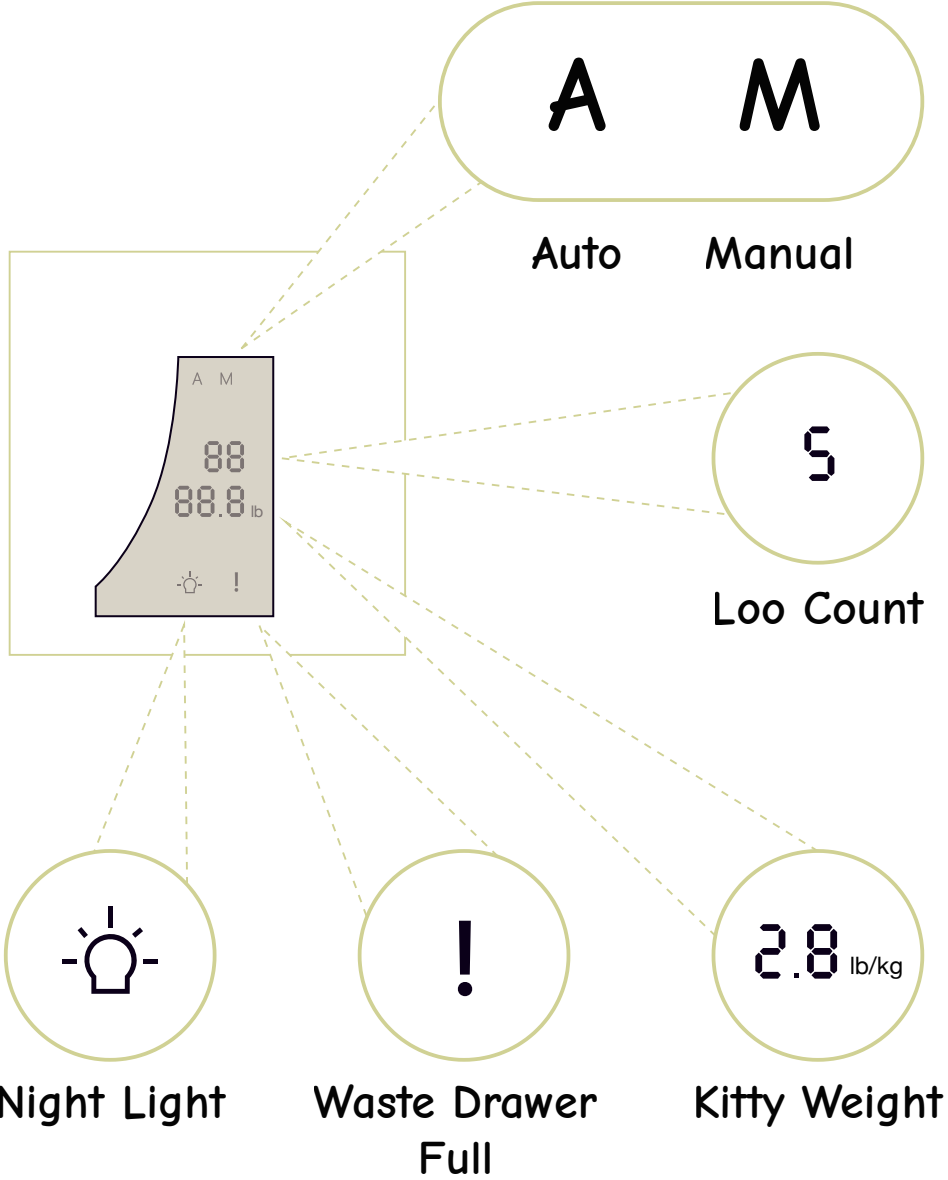


When the waste drawer is full, an alarm will sound, the “!” indicator will light up, and the machine will stop rotating. Short press the POWER button to stop the alarm. Pull out the drawer, remove and replace the litter liner and push the waste drawer back in. Top off the litter bladder to the MAX line. Press RESET to zero the Loo Count and Kitty Weight displays.



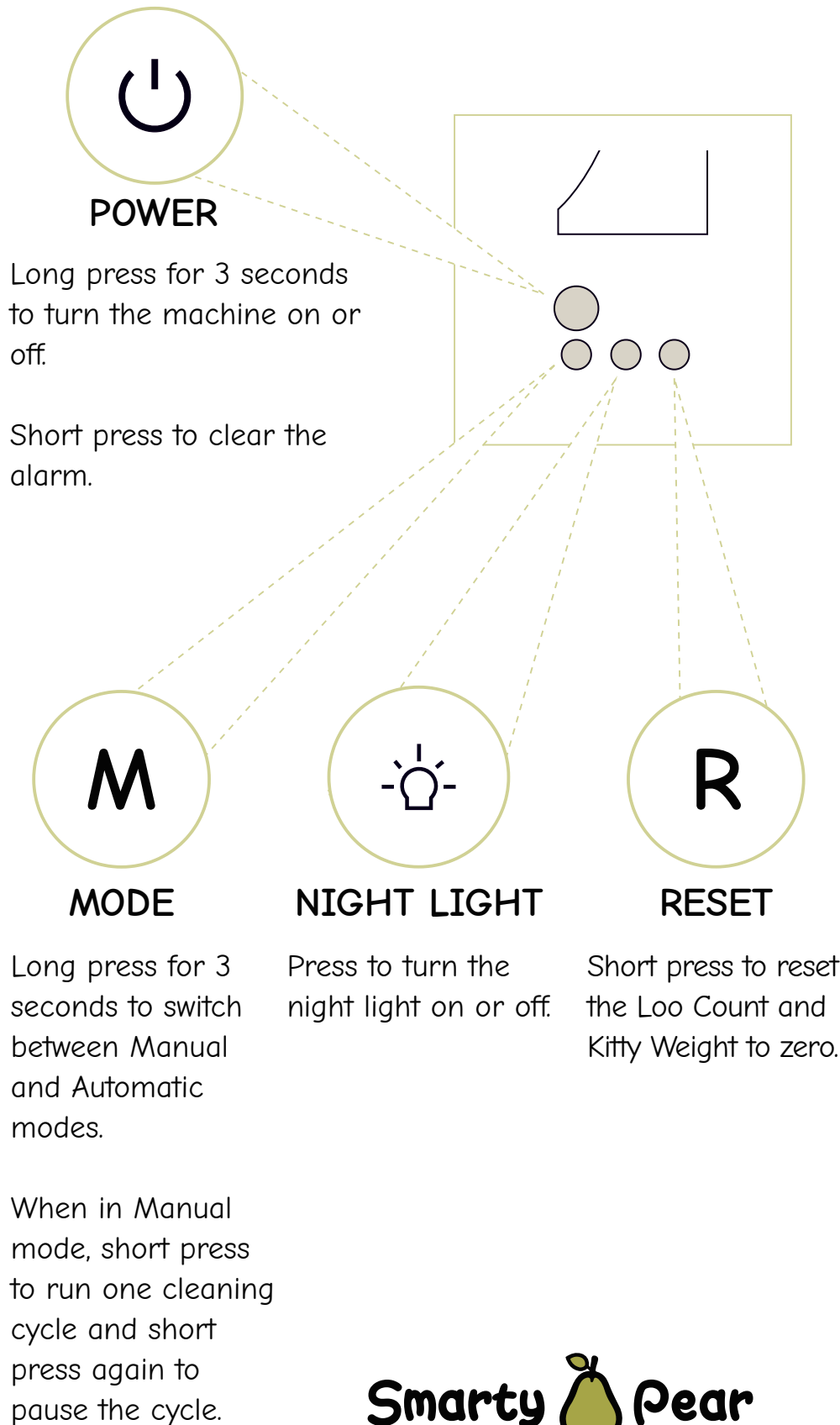
- 1 Rotating Drum
- 2 Sifter
- 3 Silicon Litter Bladder
- 4 Weight Sensors
- 5 Top Cover (Removable)
- 6 Display Panel
- 7 Control Panel
- 8 Machine Base (Non-removable)
- 9 Top Cover Buckle
- 10 Waste Litter Drawer
- 11 Power Connector
- 12 Night Light Cover

Display Panel



- TIP** Place the machine on a solid flat surface for the scale and safety sensors to work properly.
- TIP** Clumping clay type litter ONLY!
- TIP** For more tips and instruction videos, visit our official website: www.SmartyPear.com

Control Panel



Smarty Pear®

Kitty Safety

1 Weight Sensors

The weight sensors at the bottom of the machine detect the presence of a cat heavier than 2 lb (1 kg). The machine will pause if a cat jumps on it while it's running a cycle. Do NOT use for cats weighing less than 2 lb (1 kg).

2 Anti-Pinch Sensors

In the case of an obstruction, the machine will stop and rotate backwards as a safety measure. The unit will then return to its normal cleaning cycle.

3 Electrical Safety

Low operating voltage of 12 V and anti-chew electrical cable.

www.SmartyPear.com

Product Name	Automatic Self-Cleaning Litter Machine
Dimensions	26 x 25 x 26 in (65 x 63 x 66 cm)
Input Voltage	12 V
Max Weight Capacity	55 lb (25 kg)
Max Litter Capacity	1.5 gal (6 L)
Material	PP
Product Weight - Net	26.5 lb (12 kg)
Product Weight - Gross	35.3 lb (16 kg)
Power - Operating	53 kWh per year
Power - Standby	9 kWh per year
Scale Accuracy	± 1 lb (0.5 kg)

Model: LLA-WH

The complete LIMITED WARRANTY, warnings and cautions are available at www.SmartyPear.com

© PurLife Brands Inc.
Palo Alto, CA, USA

Made in China

